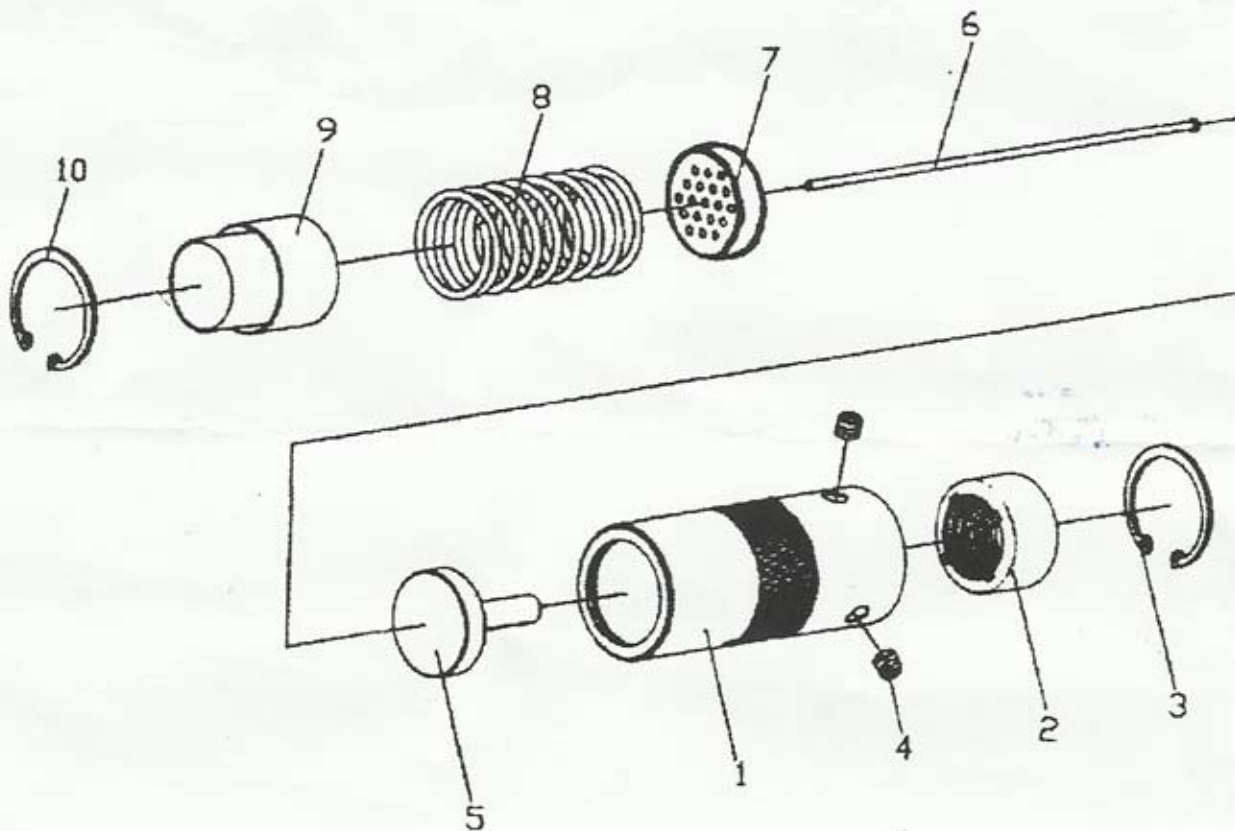


# DIAGRAM OF NS-1



ITEM NO.	PART NO.	DESCRIPTION	Q'ty	ITEM NO.	PART NO.	DESCRIPTION	Q'TY
1	351-1137	HOUSING	1	6	351-1142	NEEDLE	19
2	351-1138	SLEEVE	1	7	351-1143	NEEDLE HOLDER	1
3	351-1139	RETAINING RING	1	8	351-1144	SPRING	1
4	351-1140	SCREW	3	9	351-1145	NEEDLE TUBE	1
5	351-1141	NEEDLE DRIVER	1	10	351-1146	RETAINING RING	1