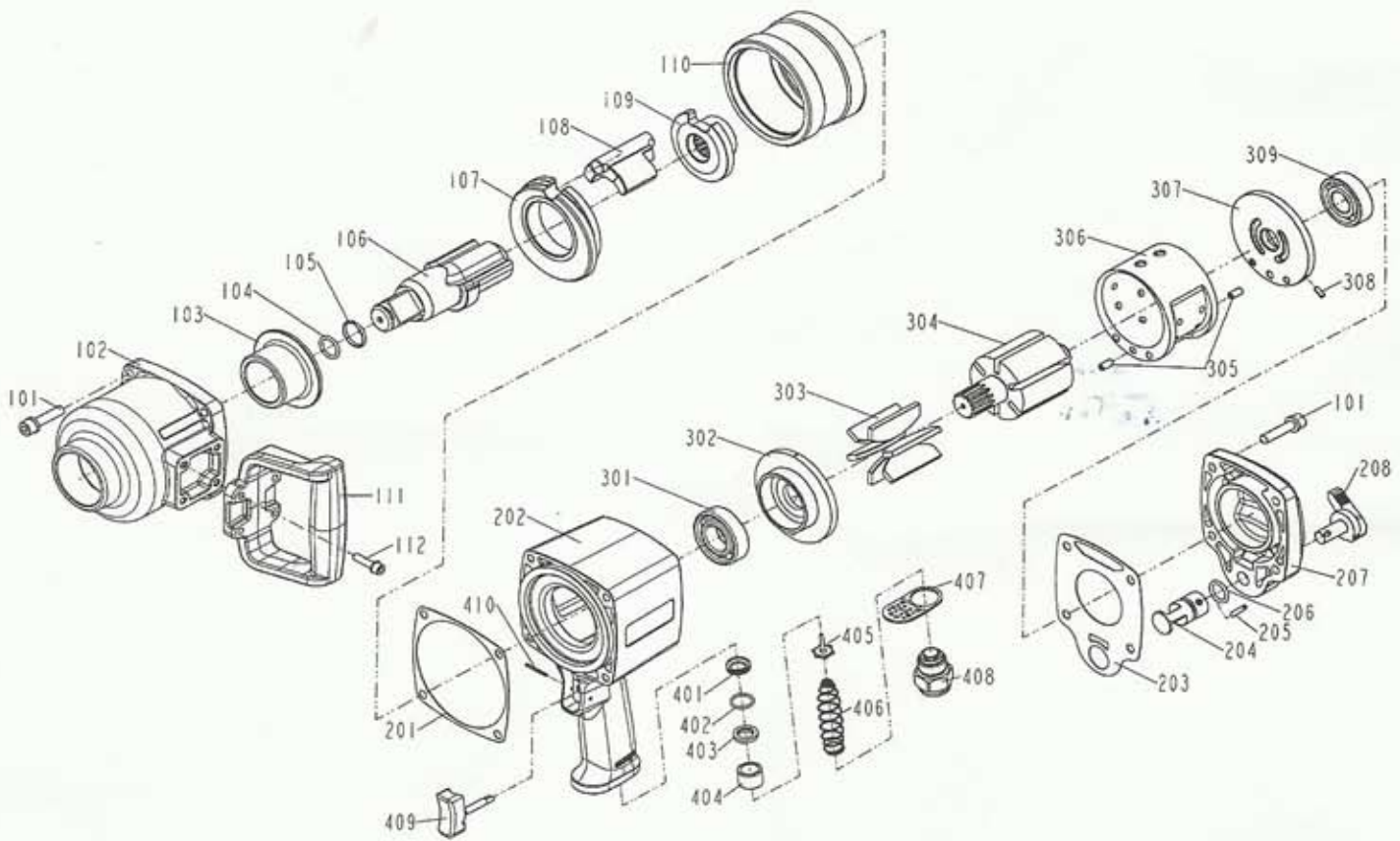


# DIAGRAM OF IW-5A2500L



ITEM NO.	PART NO.	DESCRIPTION	ITEM NO.	PART NO.	DESCRIPTION	ITEM NO.	PART NO.	DESCRIPTION
101	2040100-05050-2	BOLT ASSY	405	12226-0084701-1	TIP VALVE			
102	12318-0161302-1	HAMMER CASE	406	12308-0160002-1	SPRING			
103	1230K-0090001-1	HAMMER CASE BUSHING	407	12346-0164701-1	DEFLECTOR			
104	2041104-02010-0	O - RING	408	12309-0164706-1	AIR INLET			
105	2040306-00040-0	SOCKET RETAINER	409	12225-0164701-1	TRIGGER UNIT			
106	1230D-0094708-1	ANVIL	410	2040400-03120-0	SPRING PIN			
107	12340-0090001-1	WASHER						
108	1234A-0090002-1	HAMMER						
109	1230H-0090001-1	HAMMER CAM						
110	1230E-0090003-1	HAMMER FRAME						
111	1231N-0161301-1	HANDLE						
112	2040100-04020-2	BOLT ASSY						
201	12341-0160001-1	PACKING-HAMMER CASE						
202	12201-0166605-1	HOUSING						
203	12341-0160002-1	PACKING-HAMMER CASE						
204	1230L-0164702-1	SPRING A						
205	2040400-07110-0	SPRING PIN						
206	2041106-02010-0	O - RING						
207	12394-0161301-1	REAR COVER						
208	12246-0164701-1	REVERSE VALVE B UNIT						
301	2041200-00181-0	BEARING						
302	12312-0090003-1	FRONT END PLATE						
303	12314-0090003-1	BLADE						
304	12313-0090003-1	ROTOR						
305	2040400-09060-0	SPRING PIN						
306	12315-0090003-1	CYLINDER						
307	12316-0090003-1	REAR BEARING PLATE						
308	2040400-07050-0	SPRING PIN						
309	2041200-00190-0	BEARING						
401	1230K-0080001-1	INSERT BUSHING						
402	2041105-02070-0	O - RING						
403	12319-0080001-2	SEAL						
404	1230K-0060006-1	BUSHING						