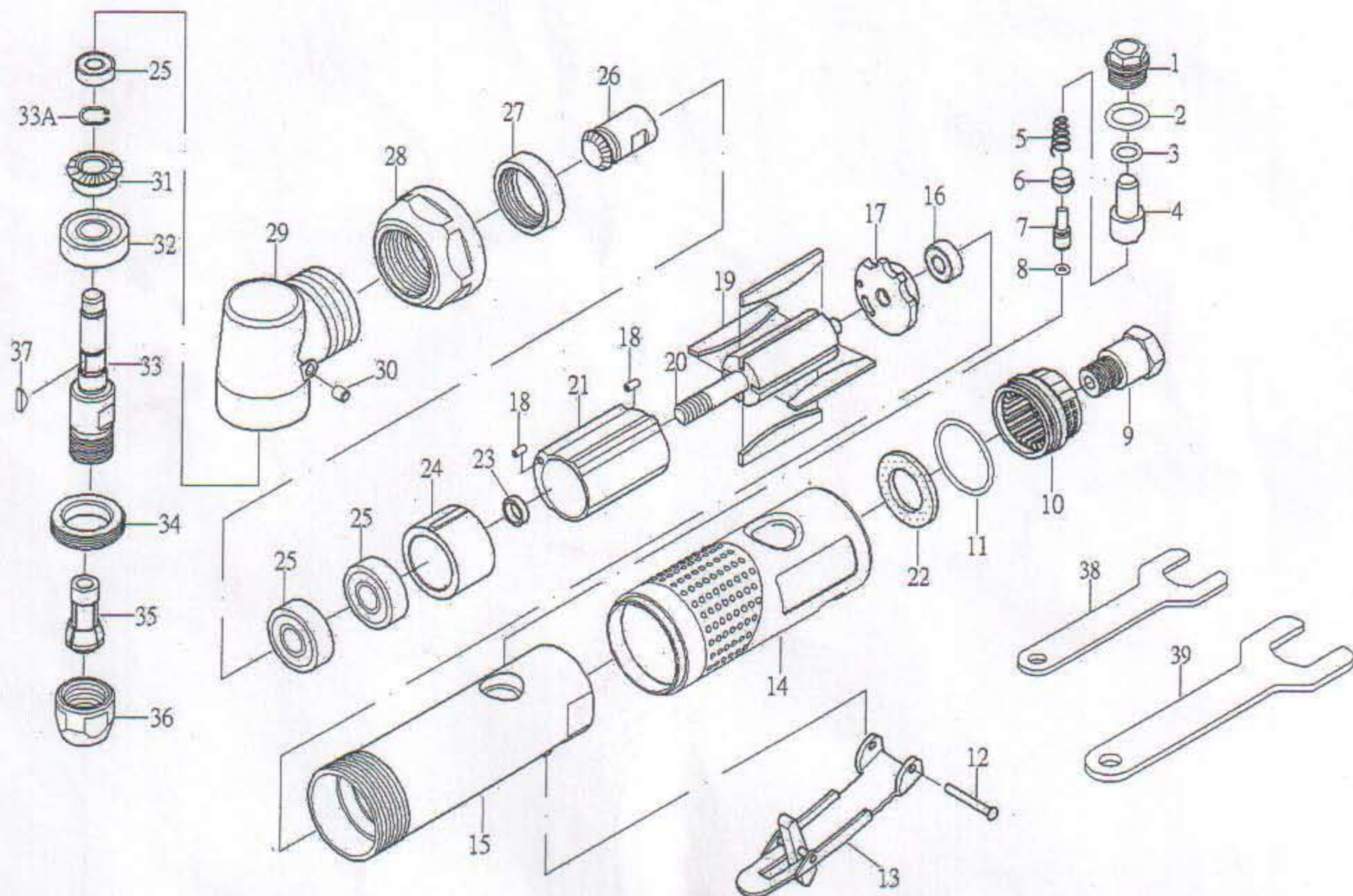


AIR ANGLE DIE GRINDER



NO	PARTS NO	DESCRIPTION	QTY	NO	PARTS NO	DESCRIPTION	QTY
01	351-0184	SCREW	1	21	351-0204	CYLINDER	1
02	351-0185	O-RING(P12)	1	22	351-0205	CONE MUFFLER	1
03	351-0186	O-RING(P8)	2	23	351-0206	BEARING SPACER	1
04	351-0187	AIR REGULATOR	1	24	351-0207	FRONT PLATE	1
05	351-0188	SPRING	1	25	351-0208	BEARING(608ZZ)	3
06	351-0189	VALVE STEM BUSHING	1	26	351-0296	BEVEL GEAR(18T)	1
07	351-0190	VALVE STEM	1	27	351-0218	NUT	1
08	351-0191	O-RING(3.5*1.4)	1	28	351-0219	CLAMP NUT	1
09	351-0192	AIR INLET	1	29	351-0220	ANGLE HOUSING	1
10	351-0193	EXHAUST SLEEVE	1	30	351-0221	OIL CUP	1
11	351-0194	O-RING(26.7*1.78)	1	31	351-0222	BEVEL GEAR(20T)	1
12	351-0195	SPRING PIN	1	32	351-0223	BEARING(6000ZZ)	1
13	351-0196	LEVER	1	33	351-0224	SHAFT	1
14	351-0197	PROTECTING RUBBER	1	33A	351-0225	SNAP RING	1
15	351-0198	HOUSING	1	34	351-0226	CLAMP NUT	1
16	351-0199	BEARING(696ZZ)	1	35	351-0212	COLLET	1
17	351-0200	REAR PLATE	1	36	351-0213	COLLET NUT	1
18	351-0201	PIN	2	37	351-0227	KEY	1
19	351-0202	ROTOR BLADE	4	38	351-0214	STOP SPANNER 14M/M	1
20	351-0203	ROTOR	1	39	351-0215	STOP SPANNER 19M/M	1